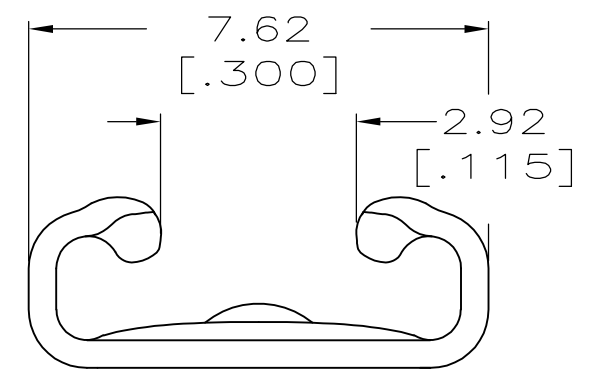
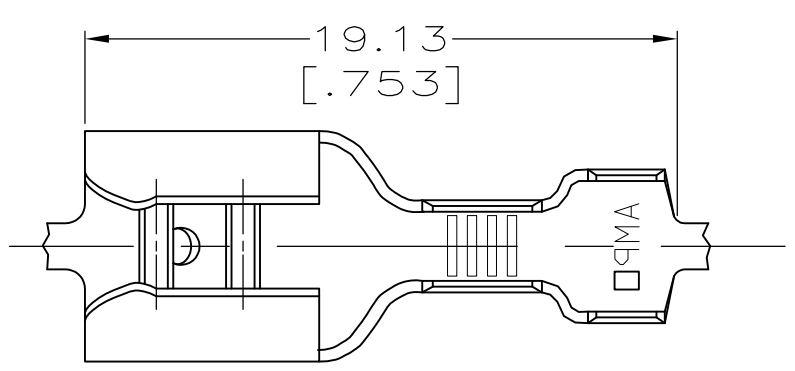


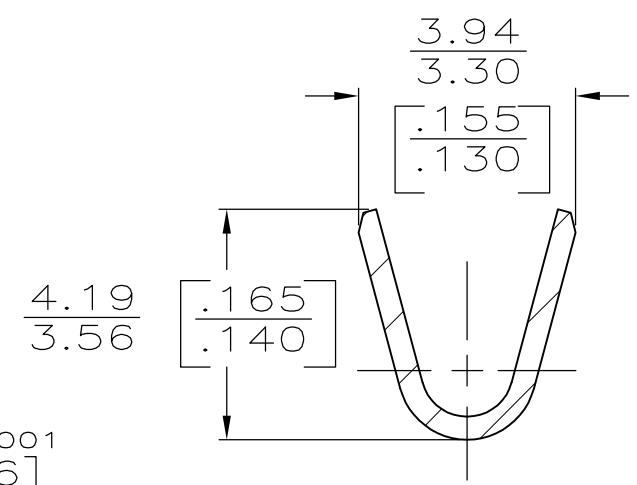
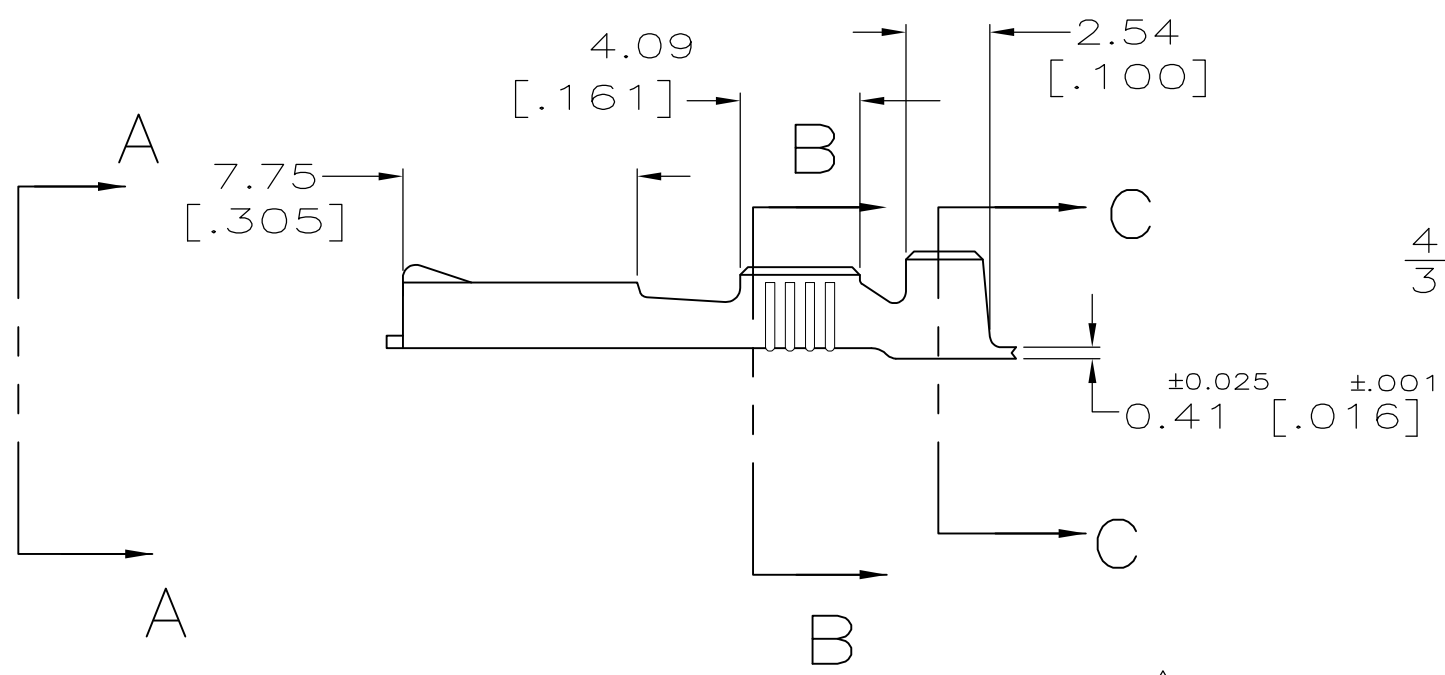
THIS DRAWING IS UNPUBLISHED. RELEASED FOR PUBLICATION
 © COPYRIGHT - By - ALL RIGHTS RESERVED.

LOC	DIST	REVISIONS					
AF	50	P	LTR	DESCRIPTION	DATE	DWN	APVD
			A	REVISED PER ECR-12-013445	09NOV12	KH	PD

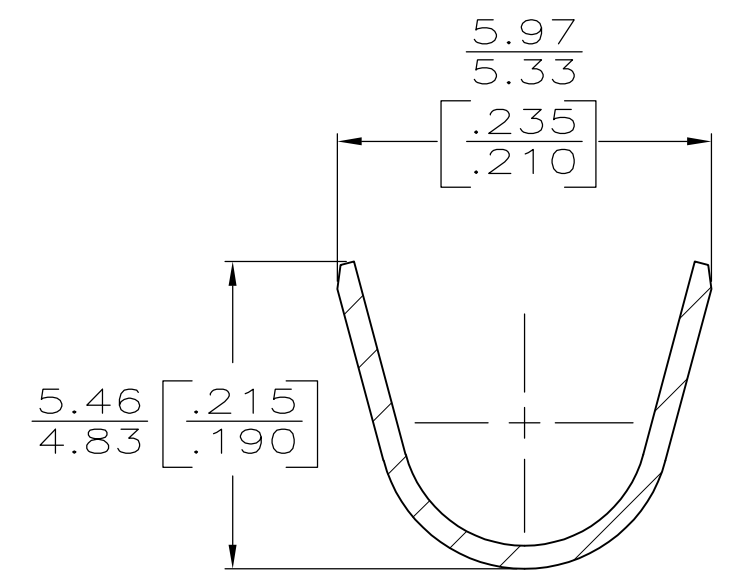


VIEW A-A
SCALE 8:1

- 1 CONTINUOUS STRIP ON REELS.
- 2 TIN PLATE 0.002032 [.000080]MIN THK.
- 3 OBSOLETE PARTS: OBSOLETE CIS STREAMLINING PER D.RENAUD/D.SINISI



SECTION B-B
SCALE 8:1



SECTION C-C
SCALE 8:1

3 OBSOLETE	3.05-4.32 DIA [.120-.170] DIA	[#18-#14] AWG	0.81 [.032]	TIN 2	60713-2
	INSULATION RANGE		MATING TAB THK ±0.025 [.001]	FINISH	60713-1
PART.NO					

THIS DRAWING IS A CONTROLLED DOCUMENT.		DWN JR RUTH 5/26/94	TE Connectivity			
DIMENSIONS: mm [INCHES]		CHK MS FEHER 5/26/94				
TOLERANCES UNLESS OTHERWISE SPECIFIED:		APVD P DESANTIS 5/26/94	NAME RECEPTACLE, FASTON, 6.35 [.250] SERIES			
0 PLC ± -		PRODUCT SPEC	SIZE			
1 PLC ± -		APPLICATION SPEC	CAGE CODE			
2 PLC ± 0.25 [.010]			DRAWING NO			
3 PLC ± -			RESTRICTED TO			
4 PLC ± -			A300779 C-60713			
ANGLES ± -			SCALE 4:1			
FINISH SEE TABLE		WEIGHT -	SHEET 1 OF 1			
MATERIAL BRASS		CUSTOMER DRAWING		REV A		